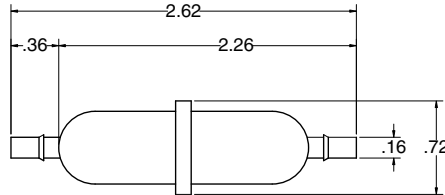
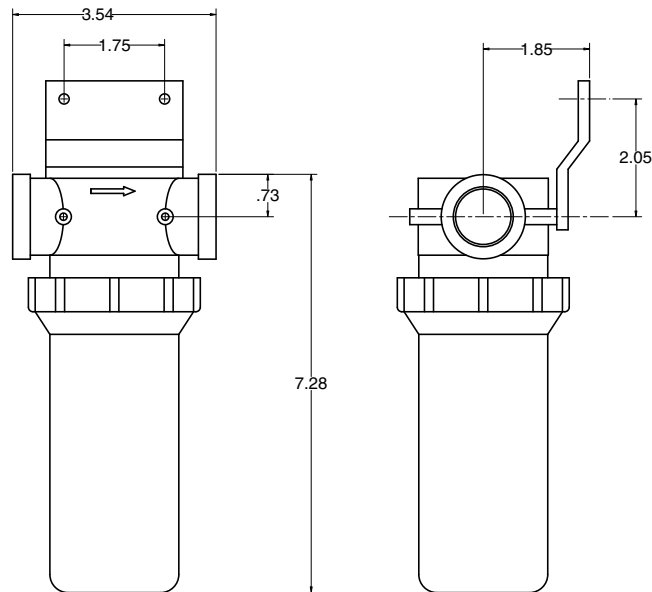


## Vacuum Filters

Model	Port Size	Internal Volume (in <sup>3</sup> )	Removal Efficiency (m)	Material	Working Temperature	Weight (oz)
VF-06	Ø.16 inner	.24	20	PP, PE	32°F~176°F	.14

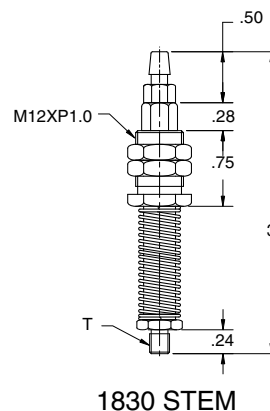
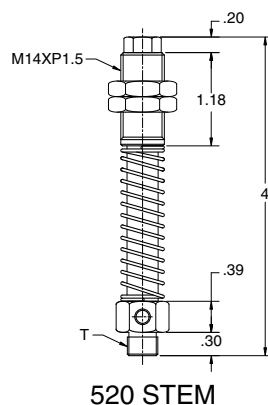


Model	Internal Volume (in <sup>3</sup> )	Removal Efficiency (m)	Material	Working Temperature	T	Weight (lb)
VF-34	16.4	20	PA, PC, PE	-4°F~+212°F	3/8", 1/2", 3/4", 1"	.57



## Level Spring

Model	Thread Size	Stroke	Weight (oz)
520 STEM	M5	.79	1.16
1830 STEM	1/8 NPT	1.18	3.53



T